

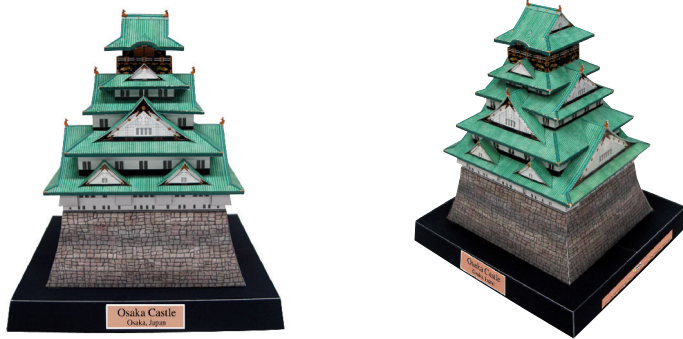
# Osaka Castle, Japan : Assembly Instructions

© Canon Inc. © PAOPAO, Inc



## PAPER CRAFT

<http://www.canon.com/c-park/en/>

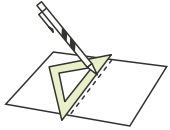


View of completed model

\* This model was designed for Papercraft and may differ from the original in some respects.

### Assembly Instructions : Seven US letter sheets (No.1 to No.7)

\* Build the model by carefully reading the Assembly Instructions, in the parts sheet page order.



\* Hint: Trace along the folds with a ruler and an exhausted pen (no ink) to get a sharper, easier fold.

### Assembly Instructions

- Mountain fold (dotted line)**  
Make a mountain fold.
  - Valley fold (dashed and dotted line)**  
Make a valley fold.
  - Scissors line (solid line)**  
Cut along the line.
  - Cut in line (solid line)**  
Cut along the line.
- Tools and materials** Scissors, set square, glue (We recommend stick glue), pencil, used ballpoint pen, toothpicks, tweezers, (useful for handling small parts)

**Assembly tip** Before gluing, create the paper along mountain fold and valley fold lines and make sure rounded sections are nice and stiff.

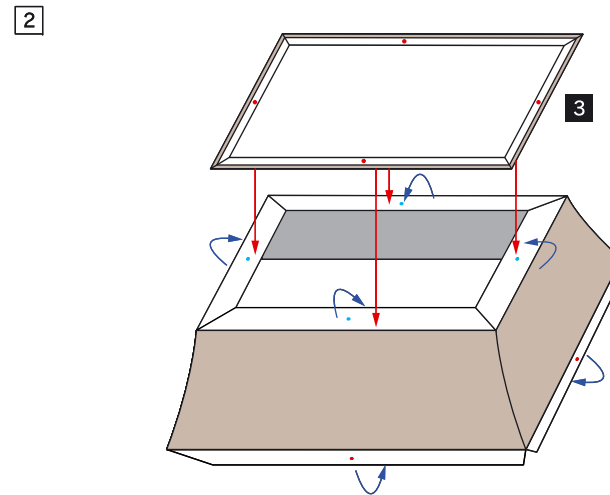
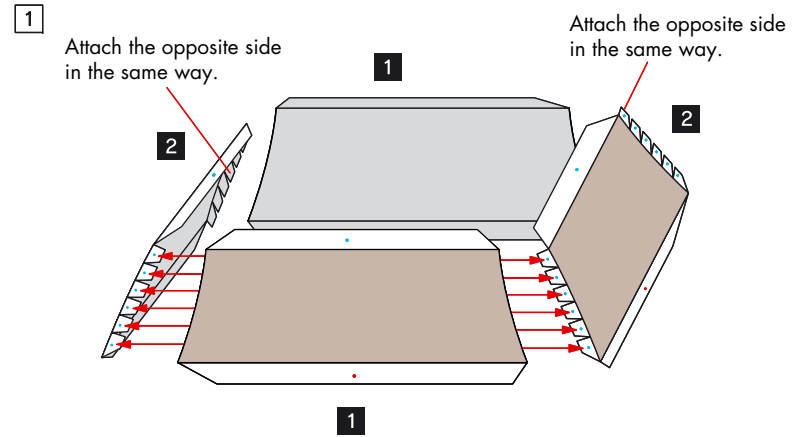
**Caution** Glue, scissors and other tools may be dangerous to young children so be sure to keep them out of the reach of young children.

- Glue**  
The glue spot (colored dot) shows where to apply the glue.
- Glue spot (Red dot)**  
Glue parts with the same number together.
  - Glue spot (Green dot)**  
Glue within the same part.
  - Glue spot (Blue dot)**  
Glue to the rear of the other part.

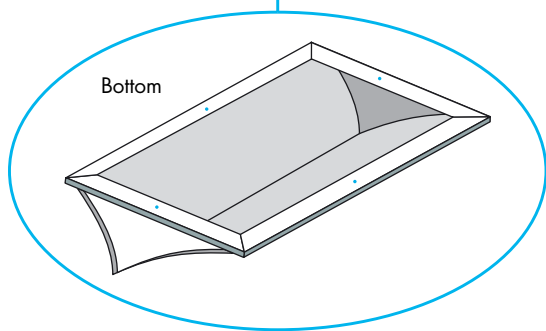
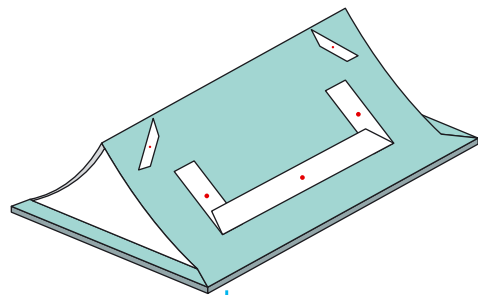
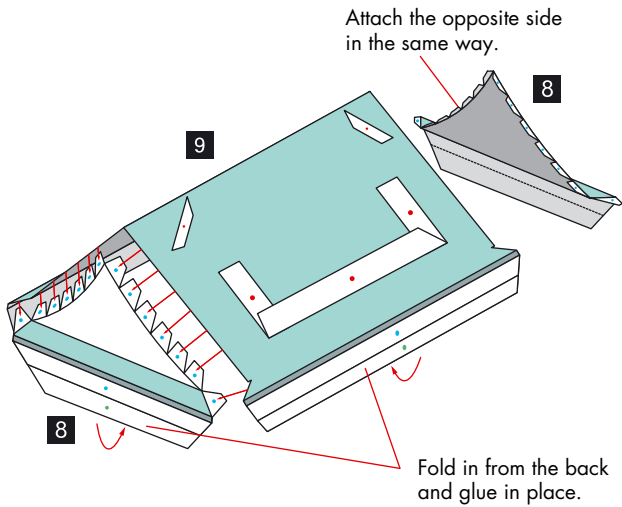
Before starting assembly: Writing the number of each section on its back side before cutting out the sections is highly recommended.  
(\* This way, you can be sure which section is which even after cutting out the sections.)

- Indicates where sections should be glued together.
- Fold in this direction.
- Indicates sections that should be glued first, then cut out.

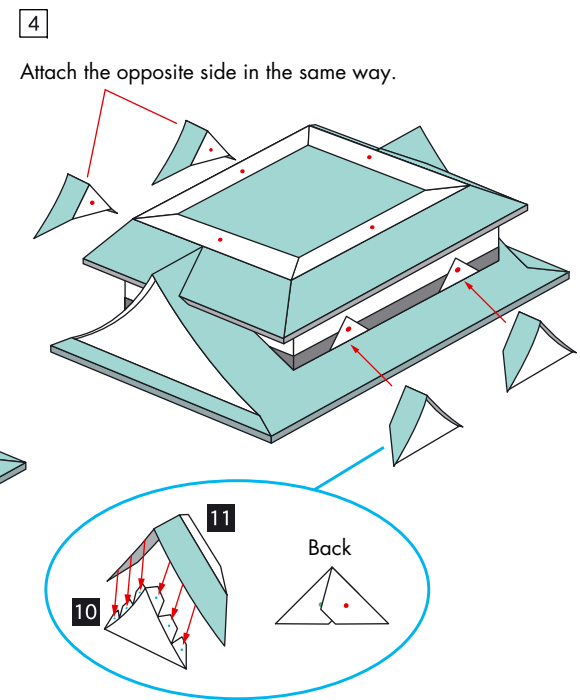
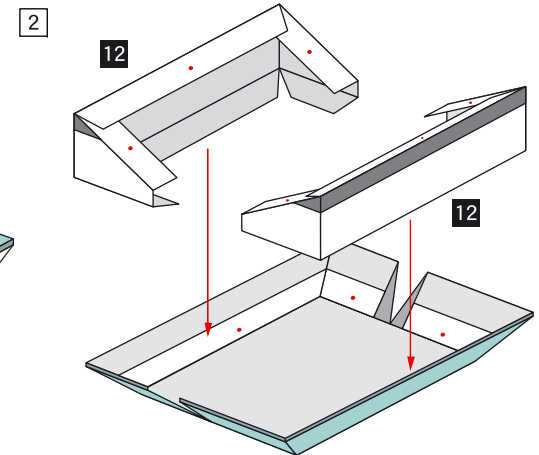
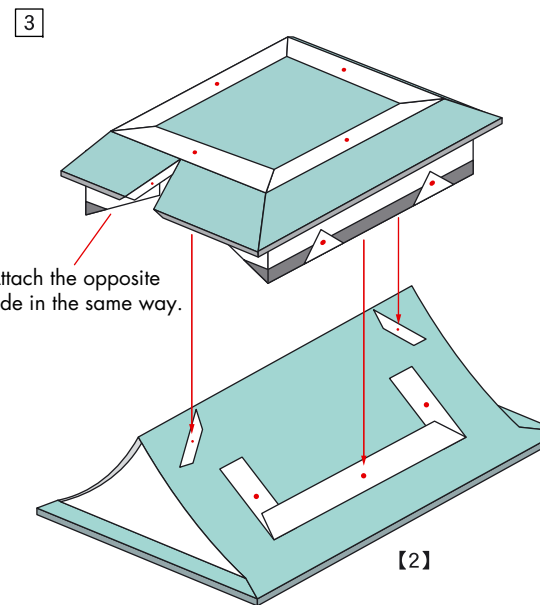
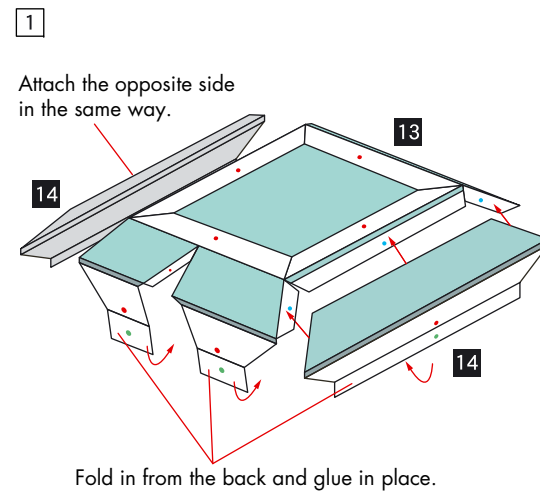
### [1] Assemble the stone wall.



**[2] Assemble the first level.**

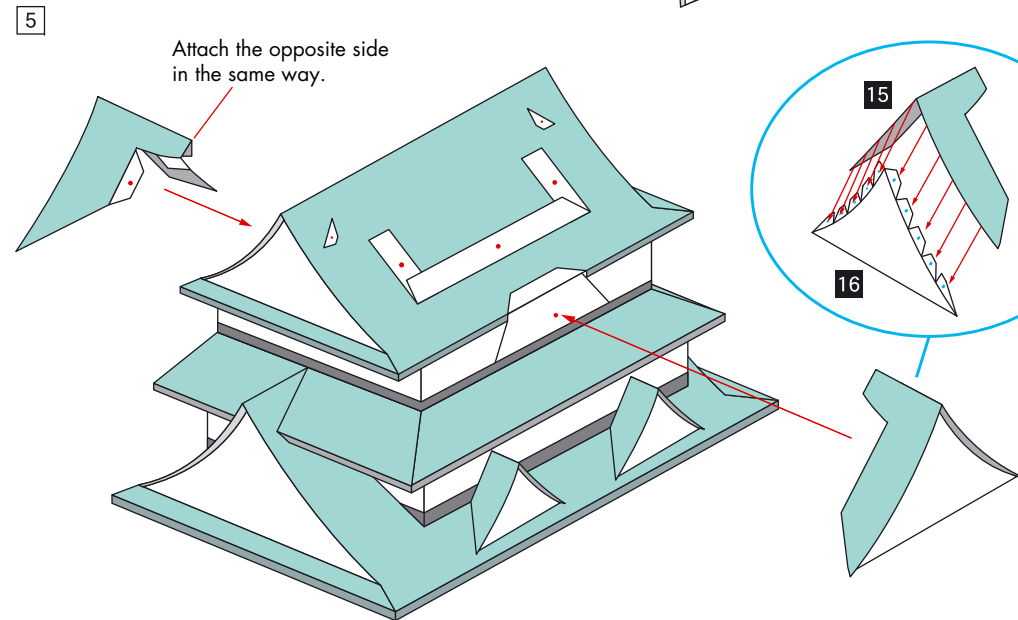
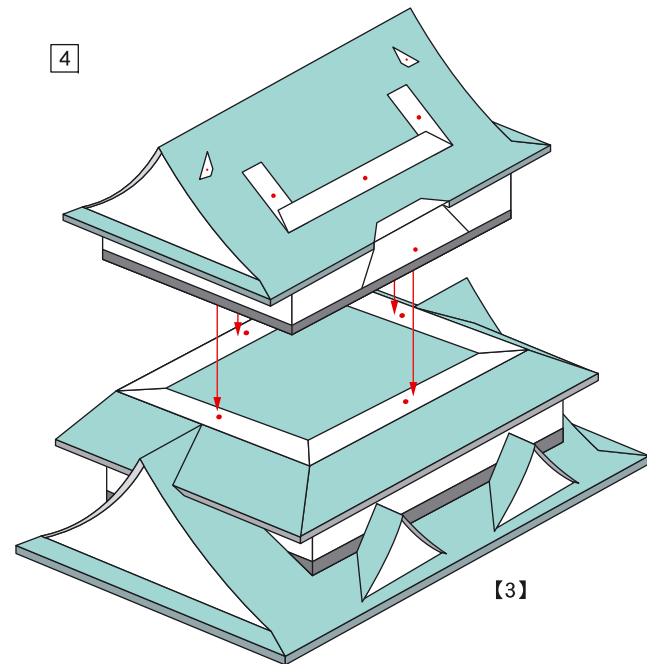
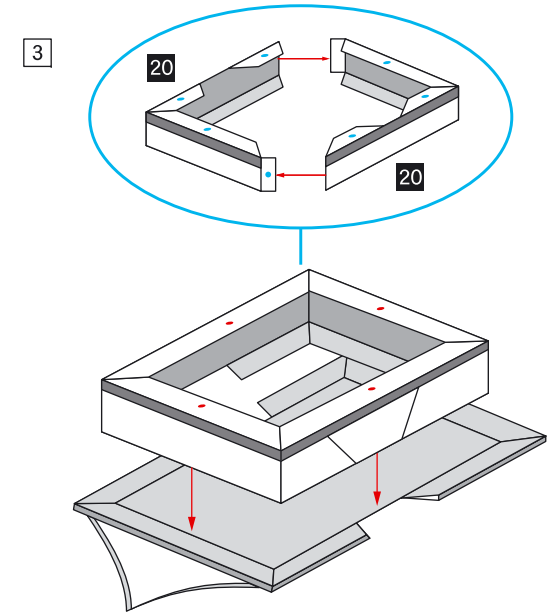
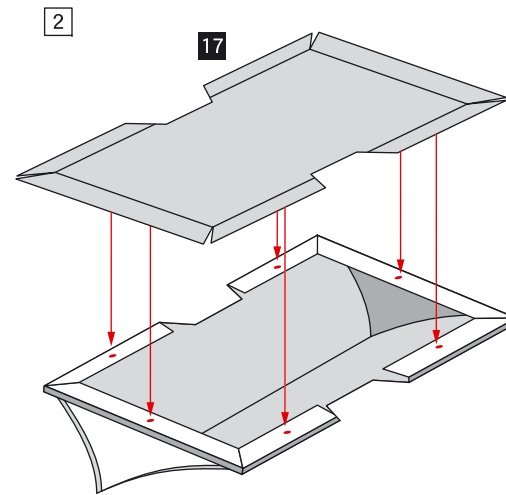
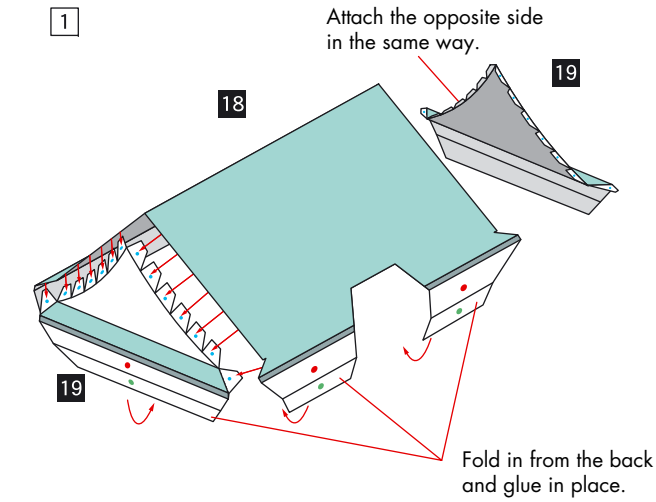


**[3] Assemble the second level.**



# Osaka Castle, Japan : Assembly Instructions

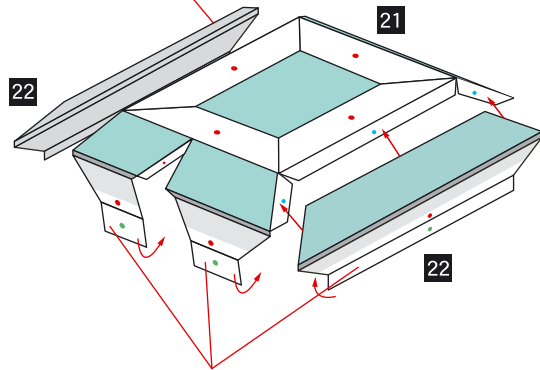
## [4] Assemble the third level.



## 【5】 Assemble the fourth level.

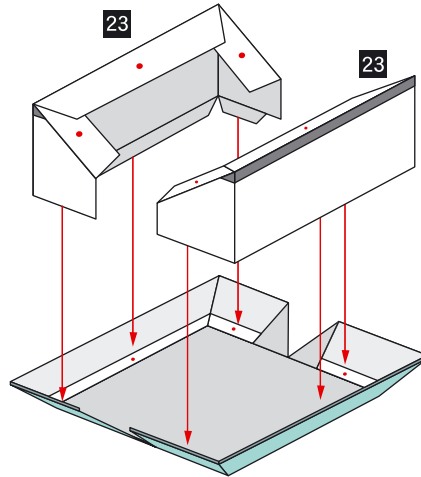
1

Attach the opposite side in the same way.

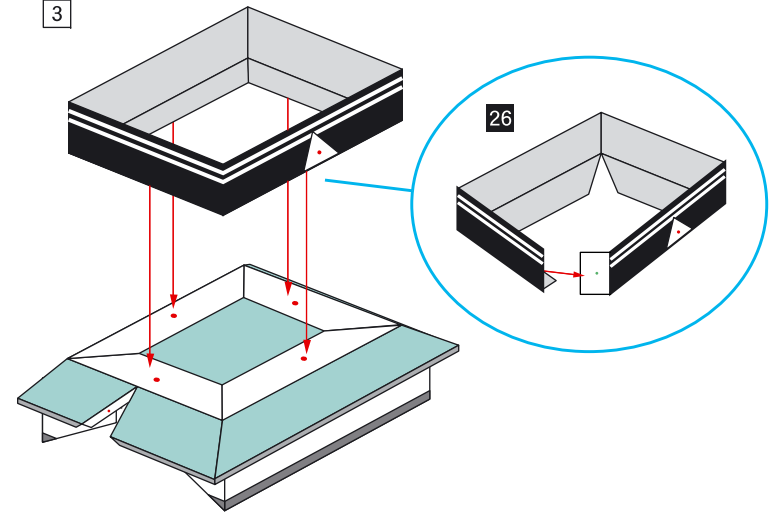


Fold in from the back and glue in place.

2

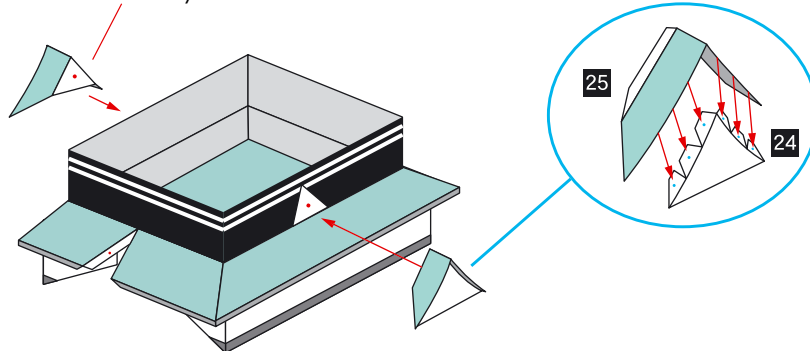


3

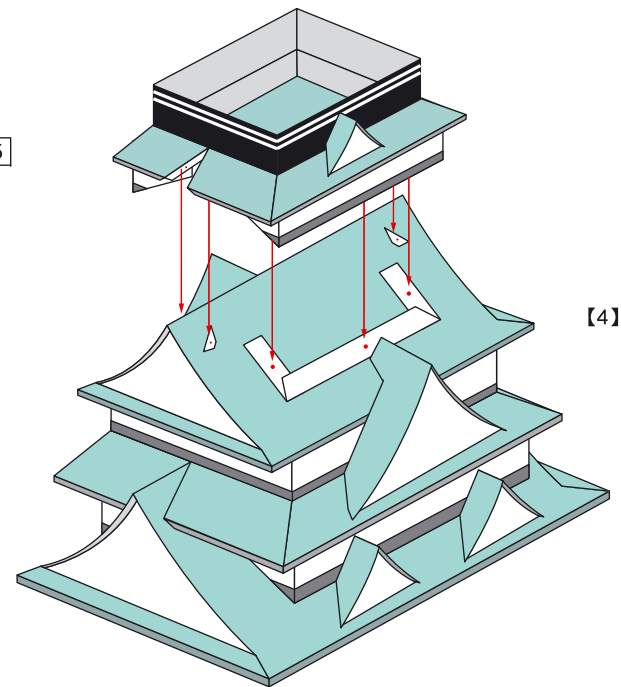


4

Attach the opposite side in the same way.



5

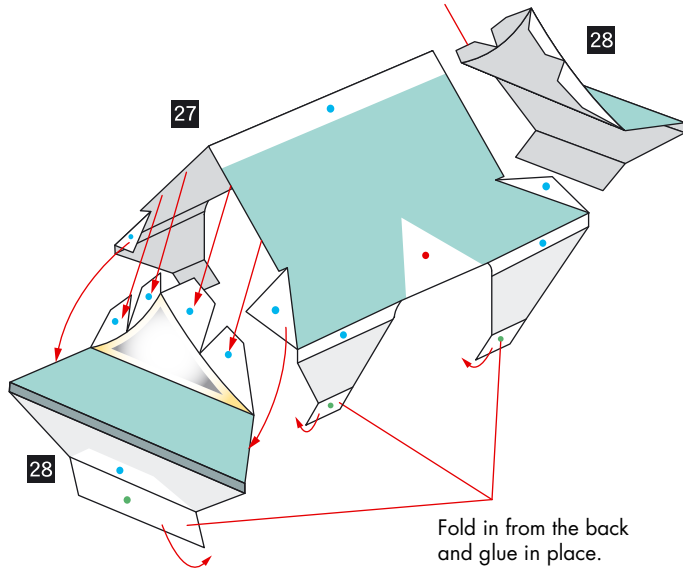


【4】

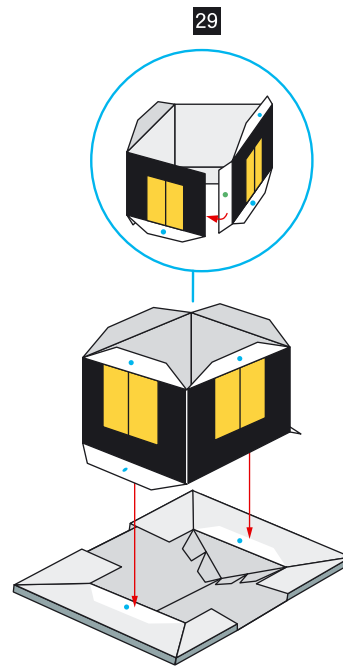
## [6] Assemble the fifth level.

1

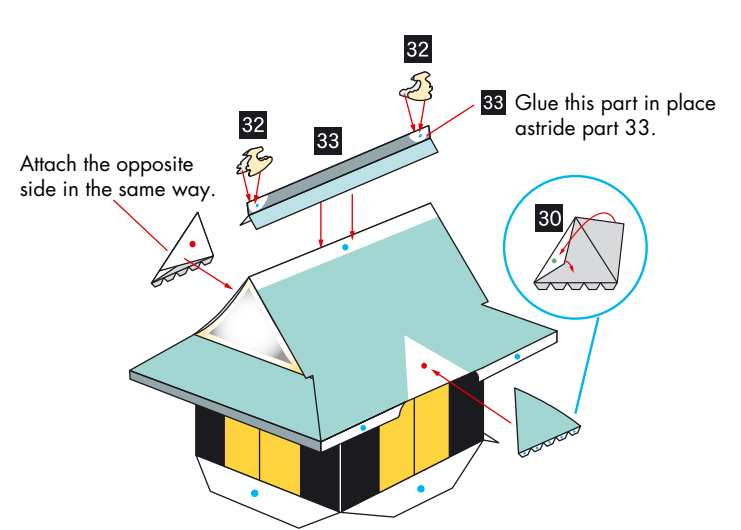
Attach the opposite side in the same way.



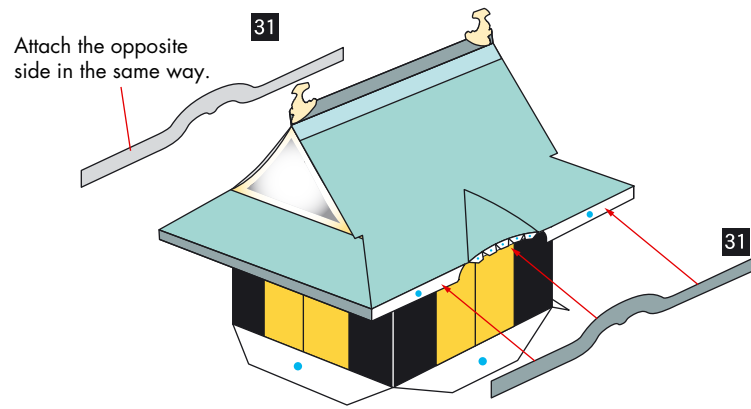
2



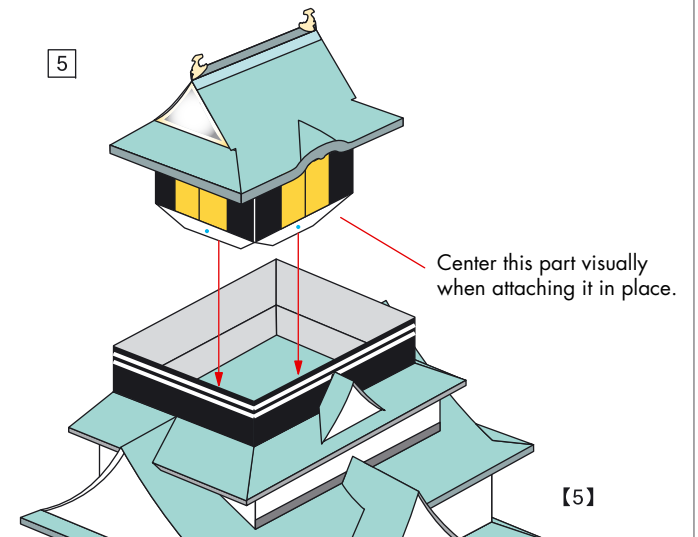
3



4



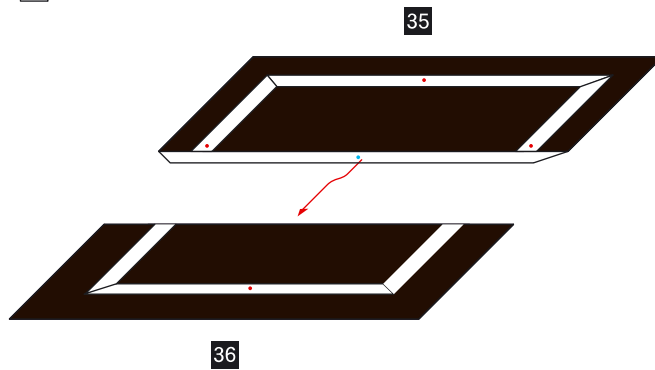
5



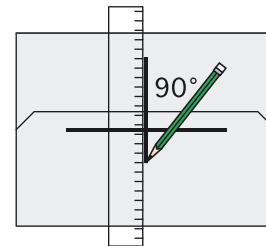
[5]

【7】 Assemble the base.

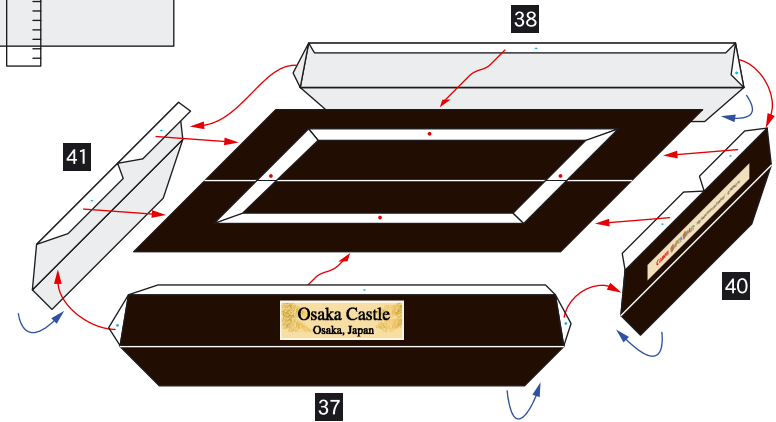
1



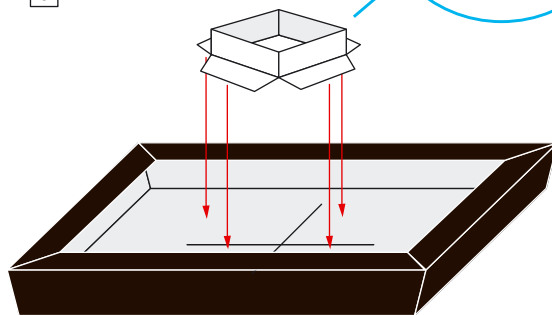
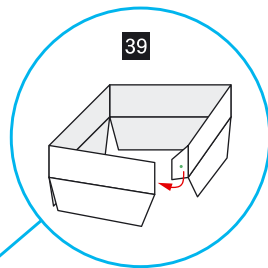
2



Before attaching the parts, draw horizontal and vertical lines intersecting at the center of the bottom sides of parts 35 and 36.

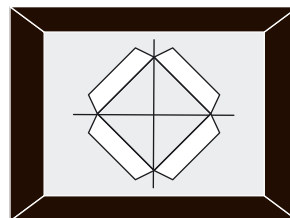


3



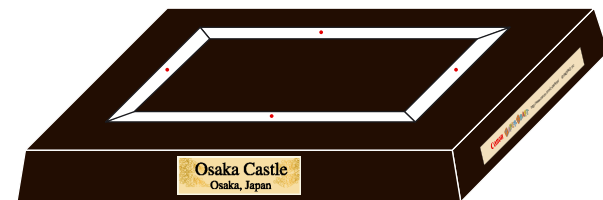
Turn the base over and attach this part in line with the marks you made in step 2.

Bottom view



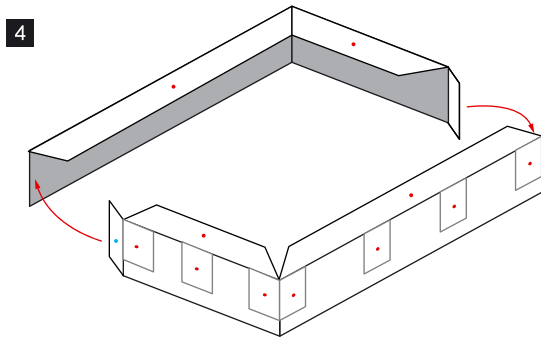
4

After gluing part 39 in place, turn the base over so that its top faces up again.

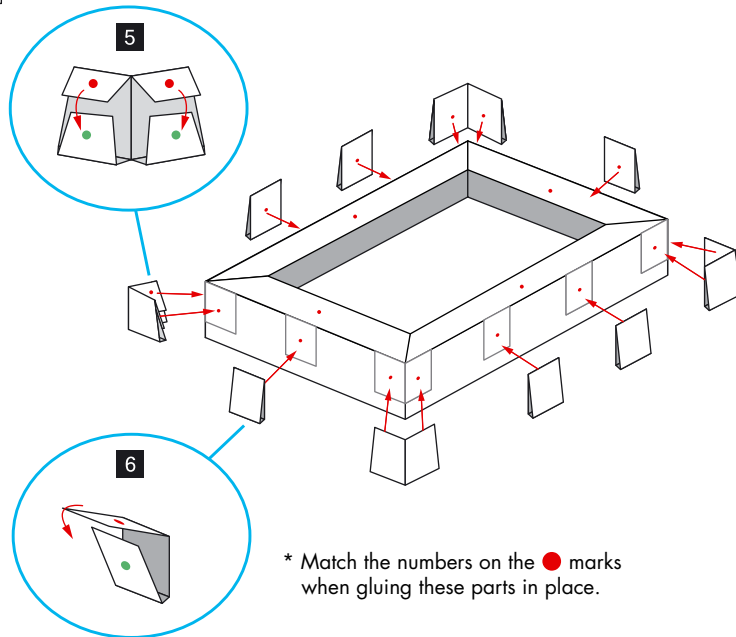


【8】 Assemble the white walls.

1

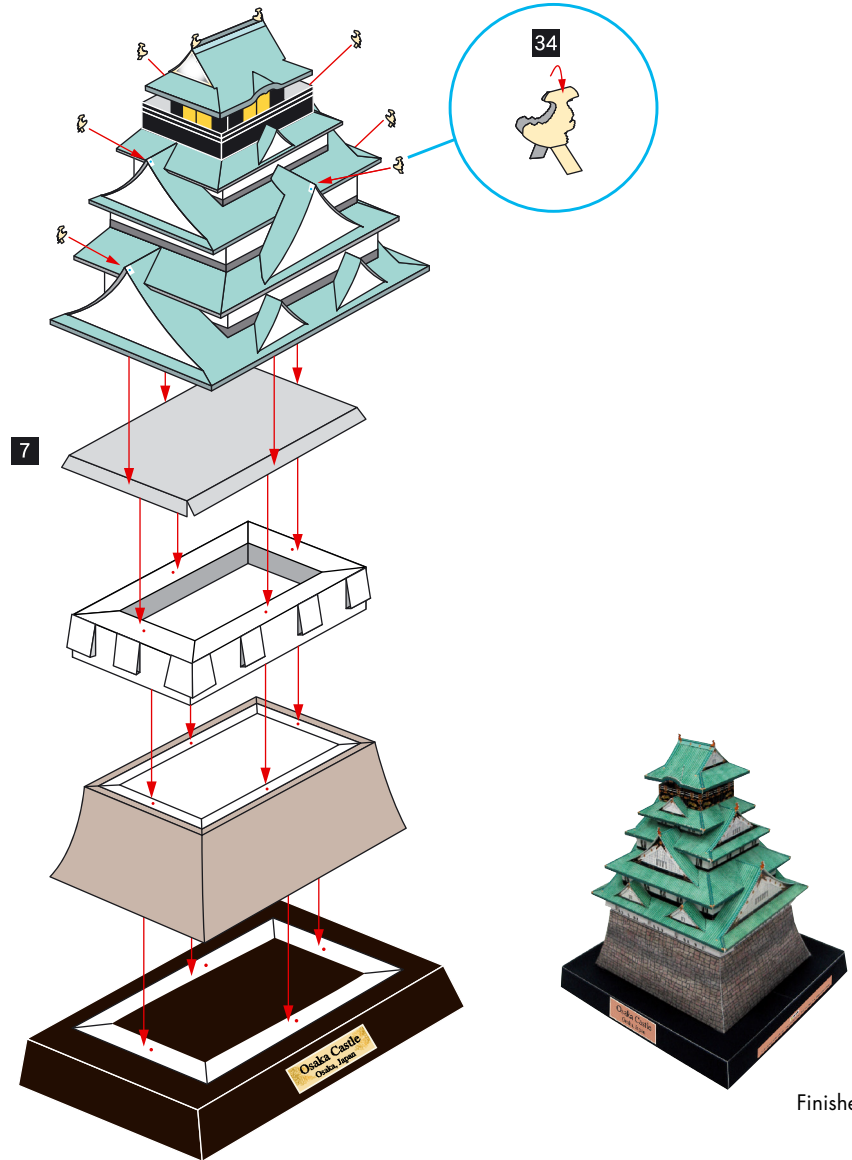


2



\* Match the numbers on the ● marks when gluing these parts in place.

【9】 Finish assembling the entire castle.



Finished!