

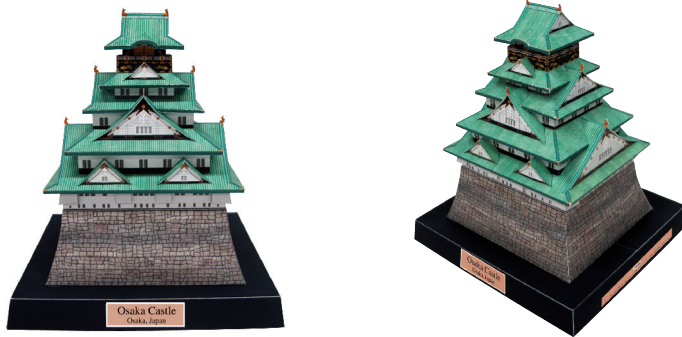
Osaka Castle, Japan : Assembly Instructions

© Canon Inc. © PAOPAO, Inc



PAPER CRAFT

<http://www.canon.com/c-park/en/>

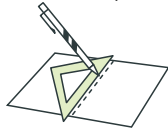


View of completed model

* This model was designed for Papercraft and may differ from the original in some respects.

Assembly Instructions : Seven A4 sheets (No.1 to No.7)

* Build the model by carefully reading the Assembly Instructions, in the parts sheet page order.



* Hint: Trace along the folds with a ruler and an exhausted pen (no ink) to get a sharper, easier fold.

Assembly Instructions

- Mountain fold (dotted line)**
Make a mountain fold.
- Valley fold (dashed and dotted line)**
Make a valley fold.
- Scissors line (solid line)**
Cut along the line.
- Cut in line (solid line)**
Cut along the line.

- Glue**
The glue spot (colored dot) shows where to apply the glue.
- Glue spot (Red dot)**
Glue parts with the same number together.
 - Glue spot (Green dot)**
Glue within the same part.
 - Glue spot (Blue dot)**
Glue to the rear of the other part.

Tools and materials

Scissors, set square, glue (We recommend stick glue), pencil, used ballpoint pen, toothpicks, tweezers, (useful for handling small parts)

Assembly tip

Before gluing, crease the paper along mountain fold and valley fold lines and make sure rounded sections are nice and stiff.

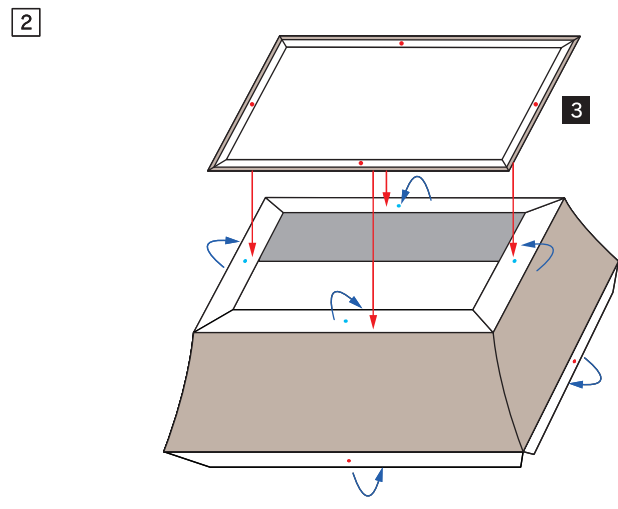
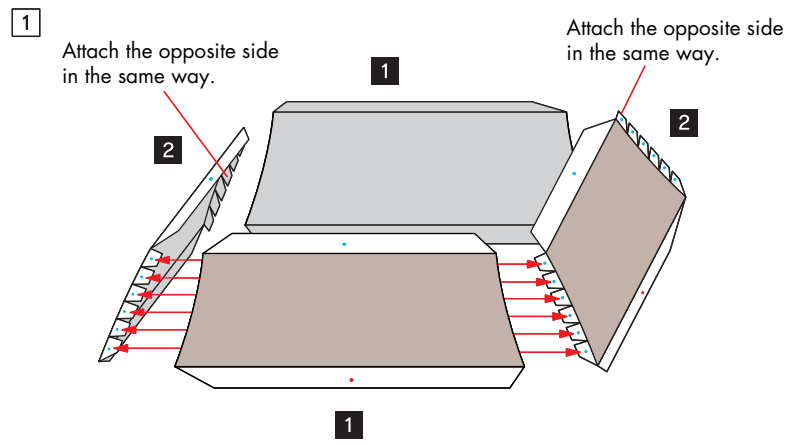
Caution

Glue, scissors and other tools may be dangerous to young children so be sure to keep them out of the reach of young children.

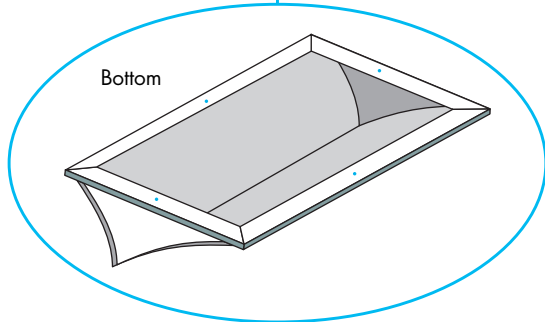
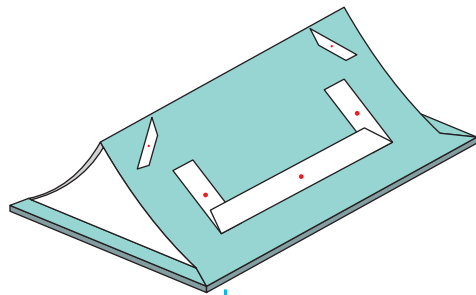
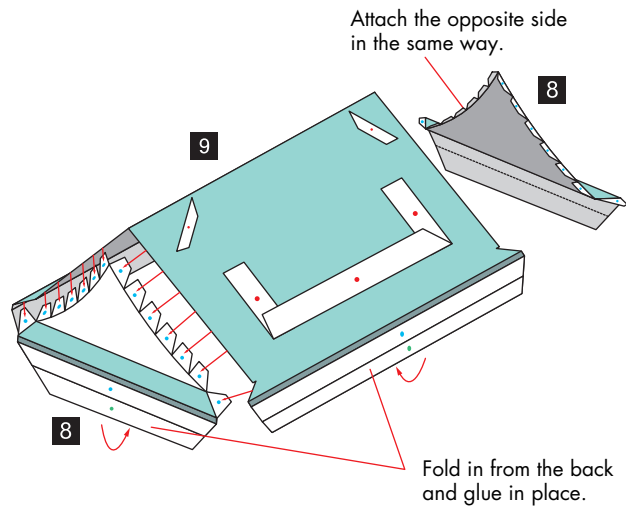
Before starting assembly: Writing the number of each section on its back side before cutting out the sections is highly recommended.
(* This way, you can be sure which section is which even after cutting out the sections.)

- Indicates where sections should be glued together.
- Fold in this direction.
- Indicates sections that should be glued first, then cut out.

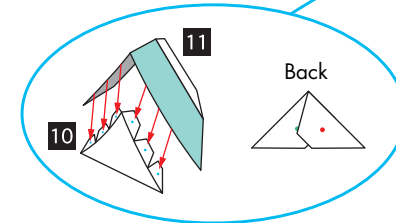
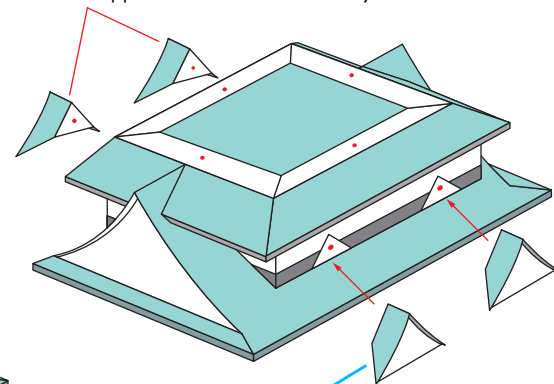
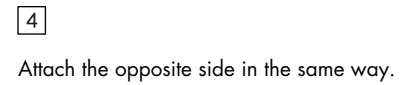
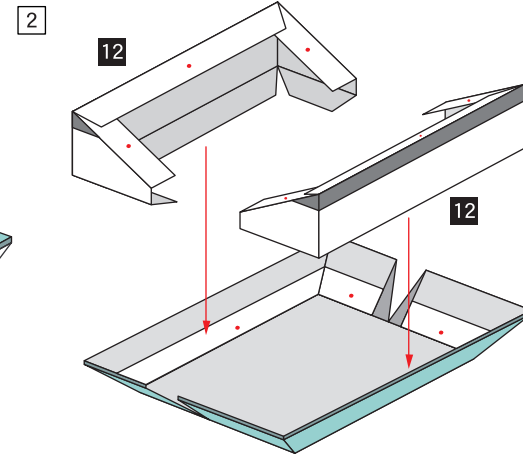
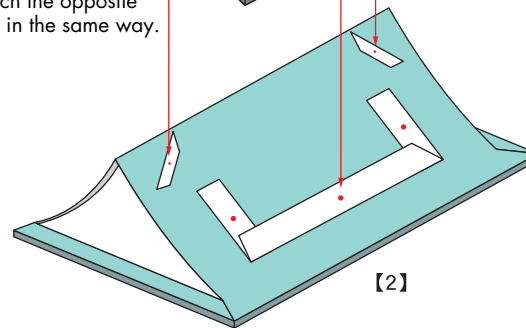
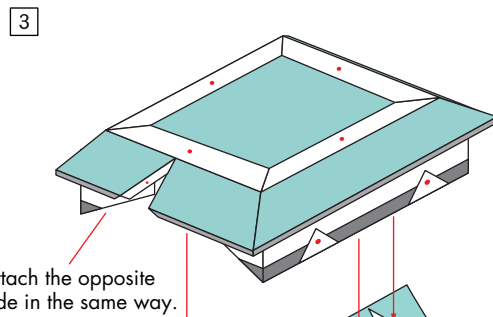
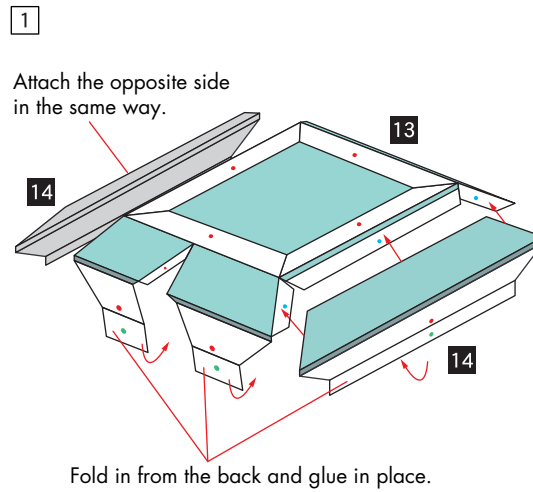
[1] Assemble the stone wall.



【2】 Assemble the first level.



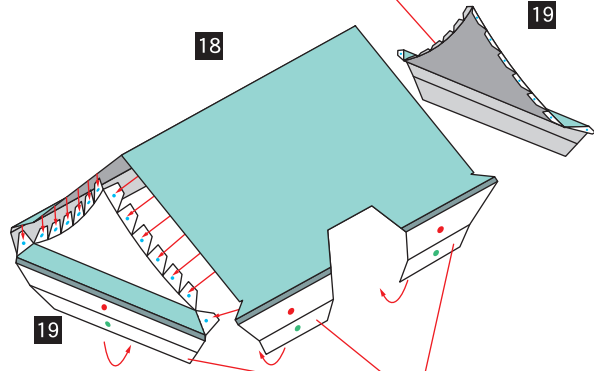
【3】 Assemble the second level.



【4】 Assemble the third level.

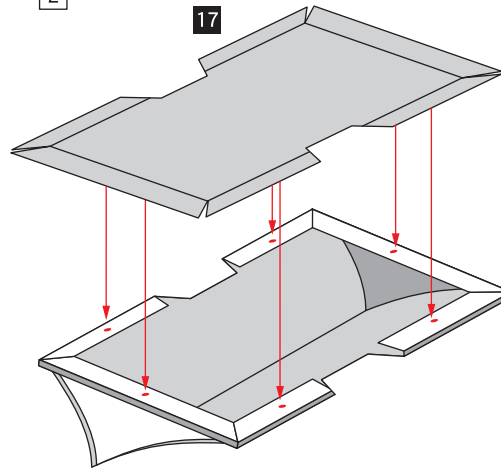
1

Attach the opposite side in the same way.

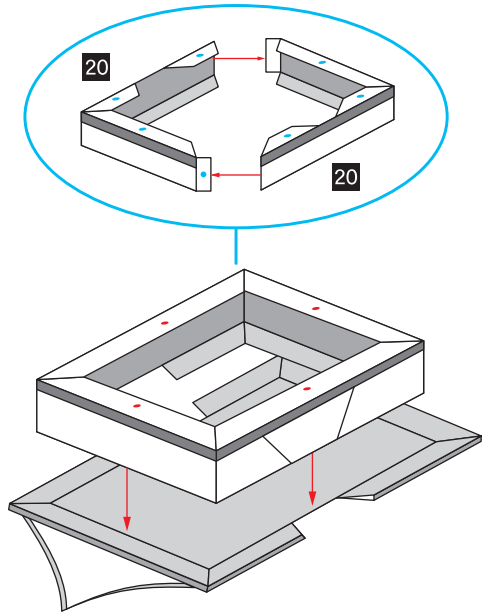


Fold in from the back and glue in place.

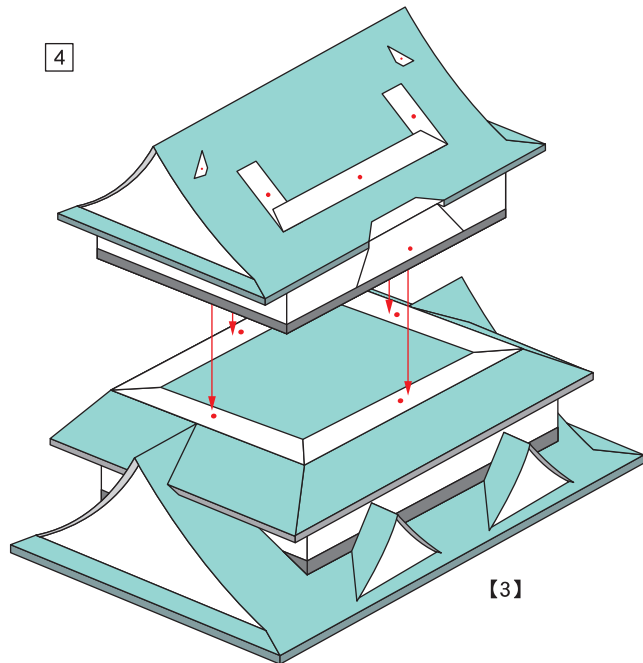
2



3

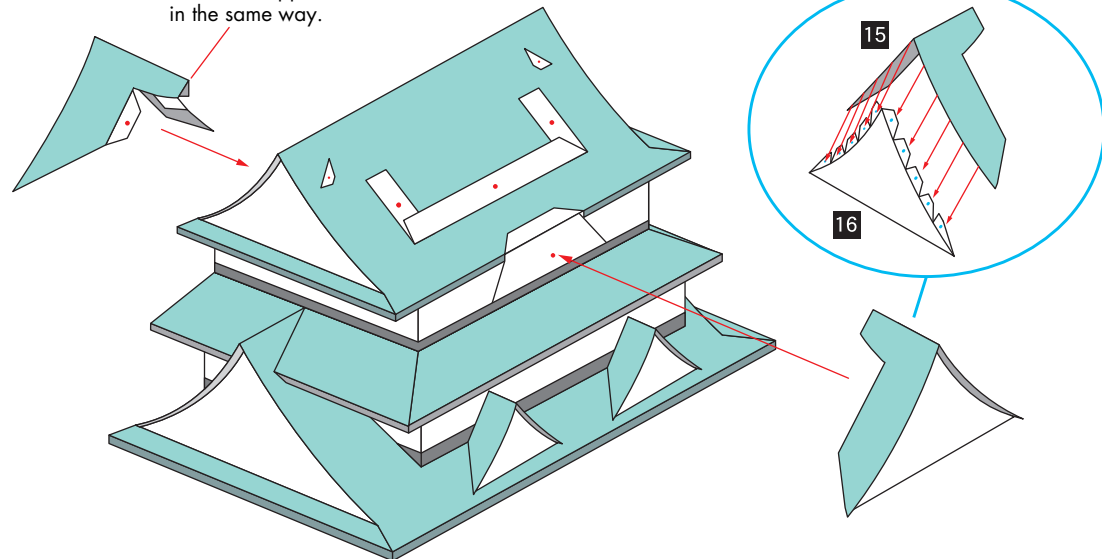


4



5

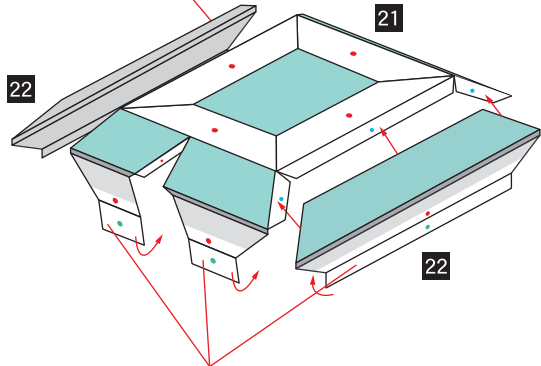
Attach the opposite side in the same way.



【5】 Assemble the fourth level.

1

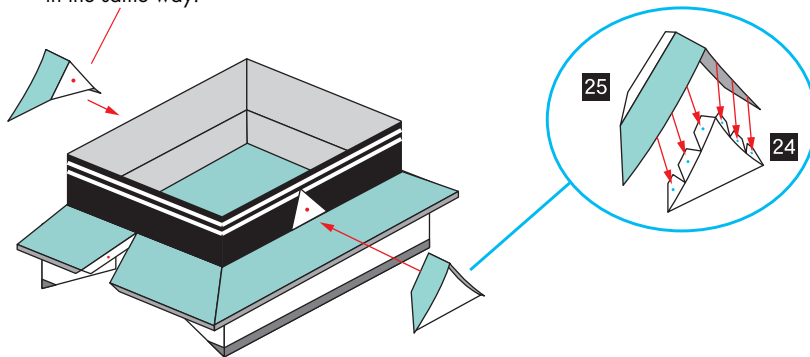
Attach the opposite side in the same way.



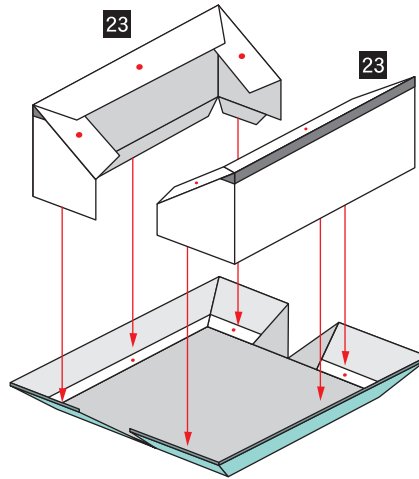
Fold in from the back and glue in place.

4

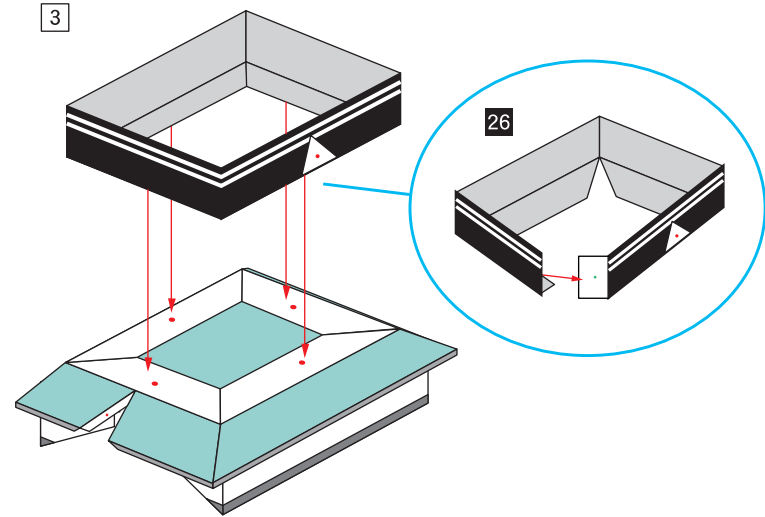
Attach the opposite side in the same way.



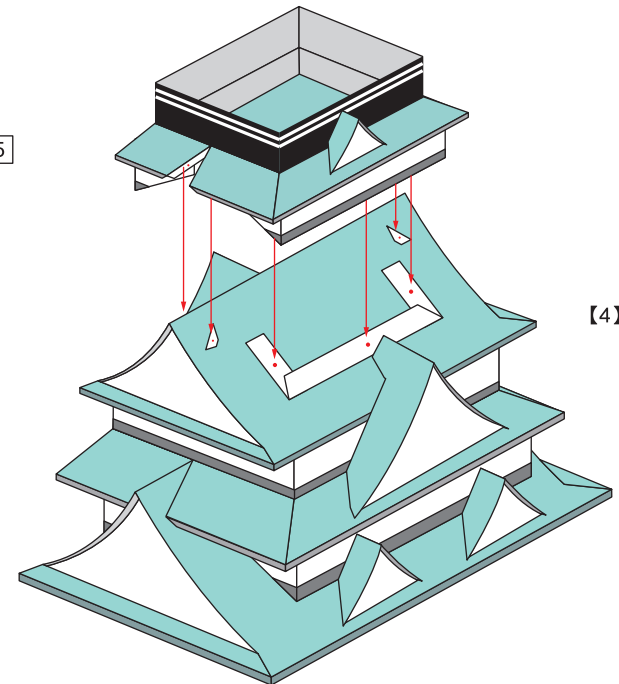
2



3



5

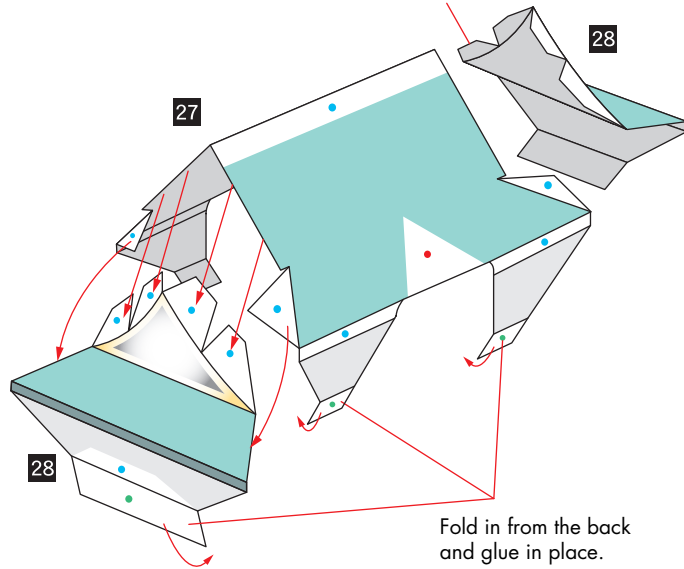


【4】

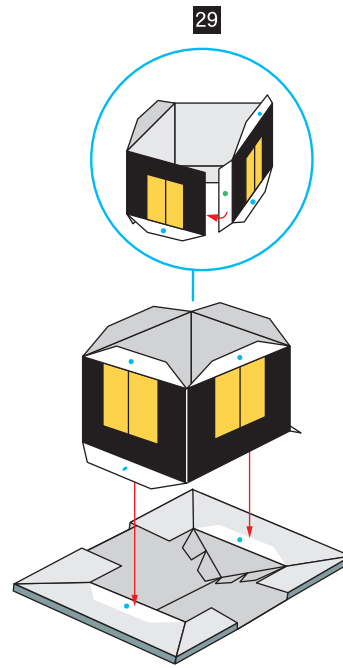
【6】 Assemble the fifth level.

1

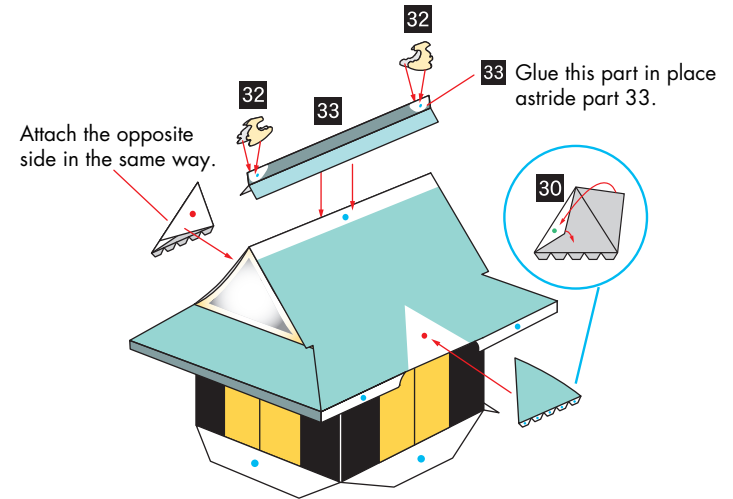
Attach the opposite side in the same way.



2

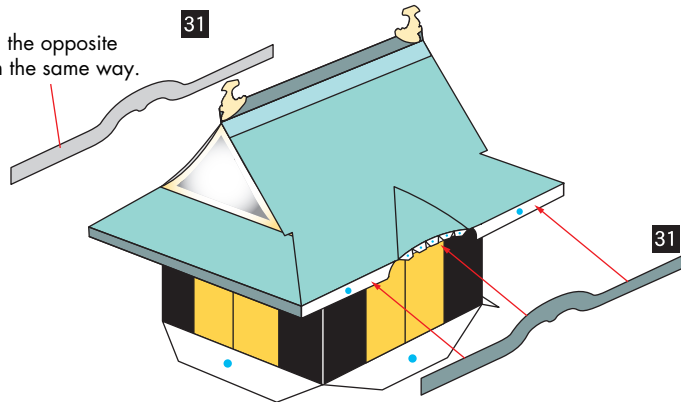


3



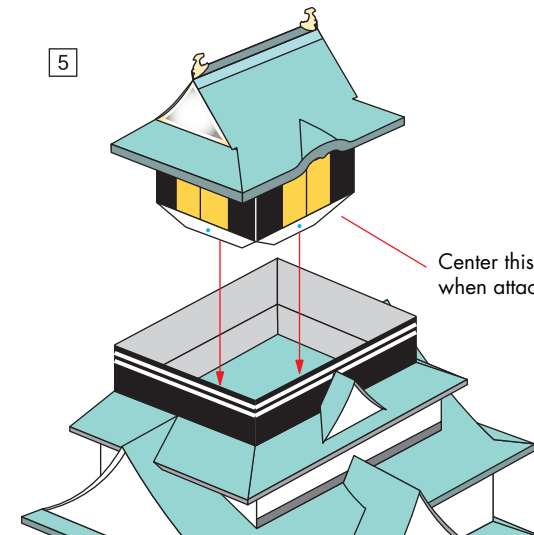
4

Attach the opposite side in the same way.



5

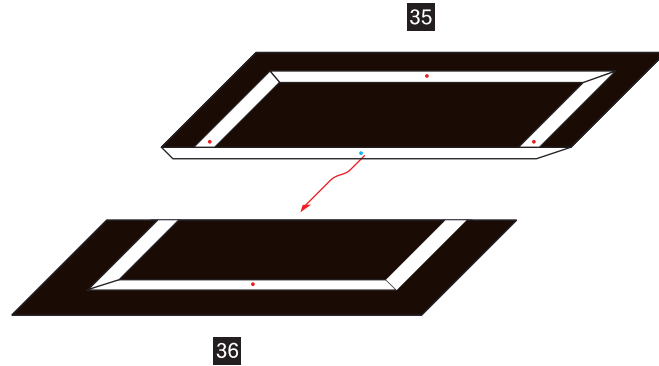
Center this part visually when attaching it in place.



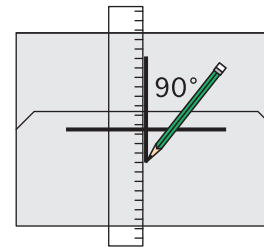
【5】

【7】 Assemble the base.

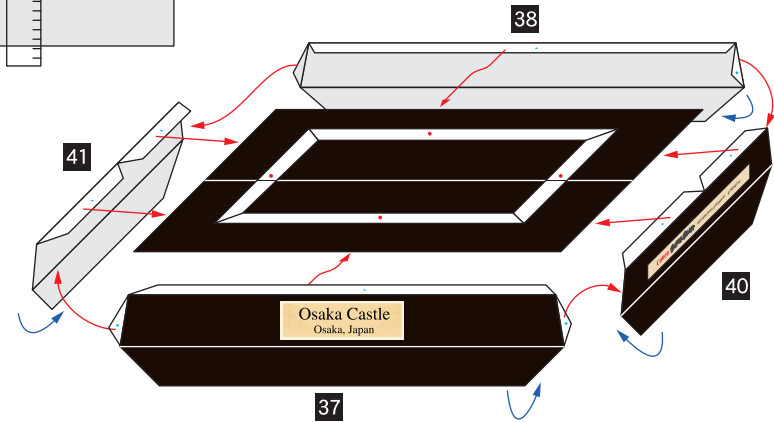
1



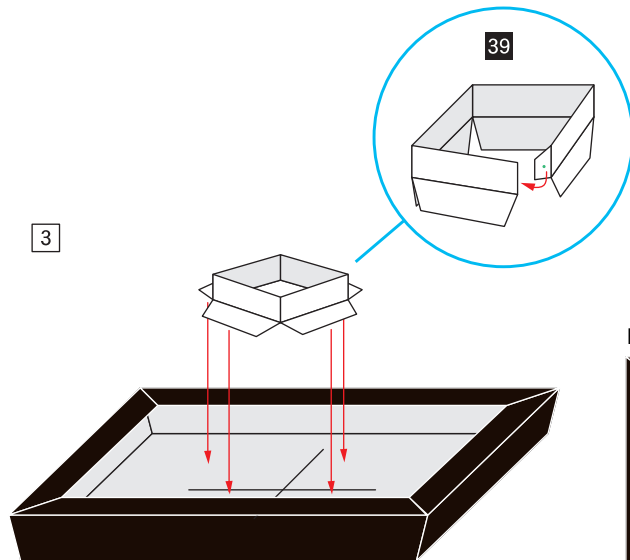
2



Before attaching the parts, draw horizontal and vertical lines intersecting at the center of the bottom sides of parts 35 and 36.

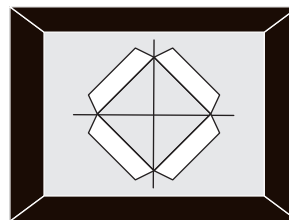


3



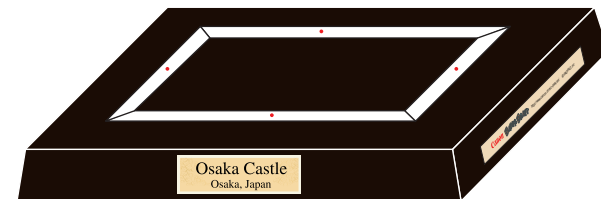
Turn the base over and attach this part in line with the marks you made in step 2.

Bottom view



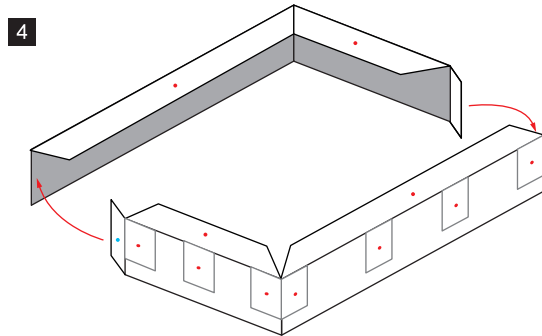
4

After gluing part 39 in place, turn the base over so that its top faces up again.

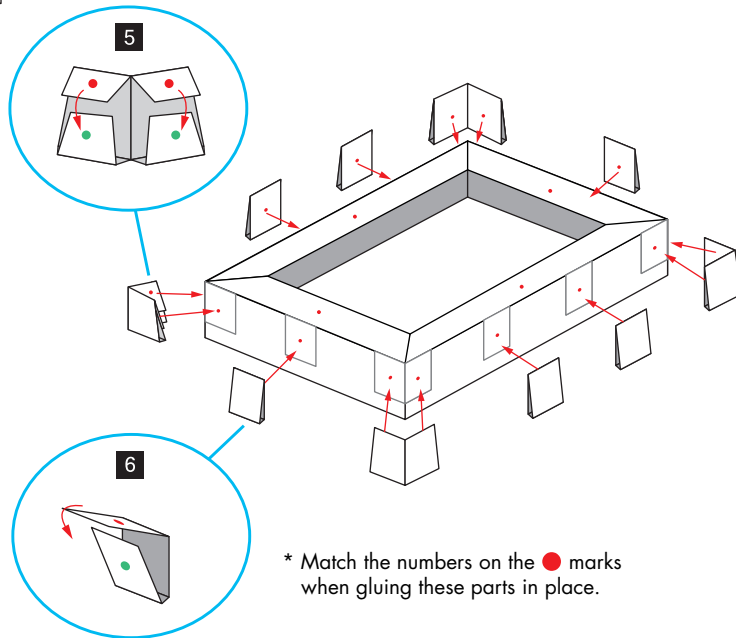


【8】 Assemble the white walls.

1



2



【9】 Finish assembling the entire castle.

